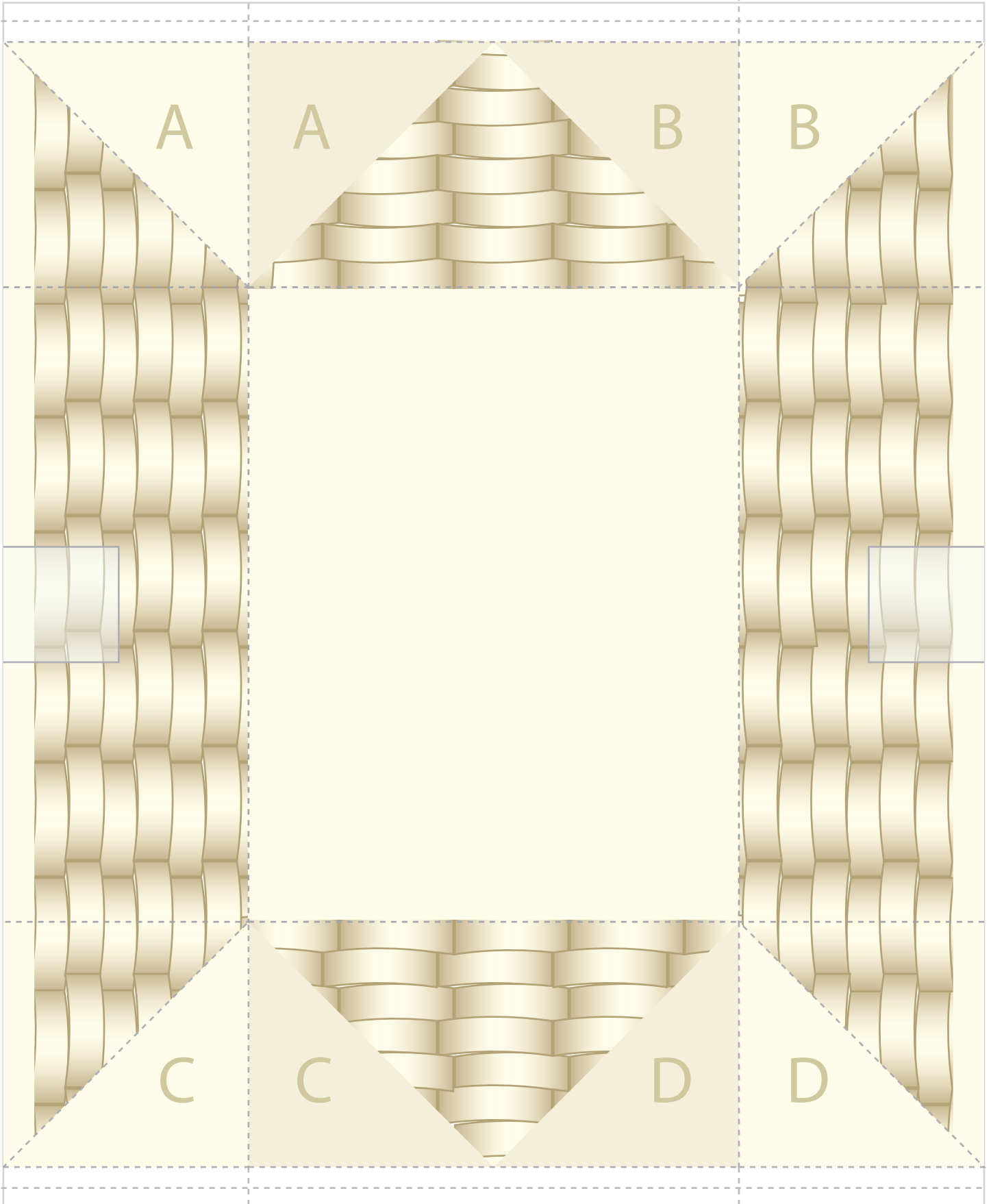




fold away from you

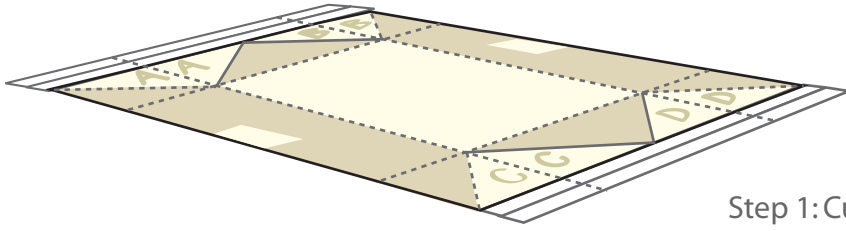
fold away from you



fold away from you

fold away from you

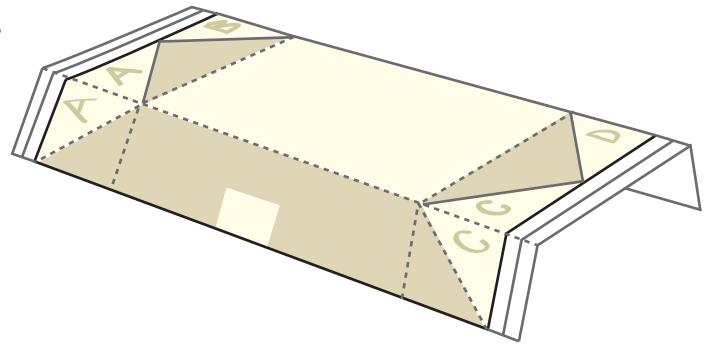
1.



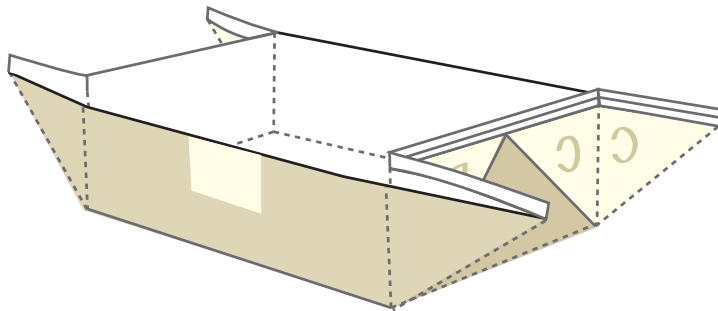
Step 1: Cut out the main piece of the basket.

Step 2: Using the fold indicators on page one (the page with the main piece) with the below graphics, begin making your folds.

2.



3.



Step 3: Your basket should be starting to take shape. Glue "A" to "A" and so on until all four corners are secured.

Step 4: Fold over the white lip on the two sides of the basket. Cut out the handle and the stickers. Glue the handle to the indicated sides of the basket. Glue the stickers wherever you like. Fill the basket with Easter goodies and enjoy!

4.

