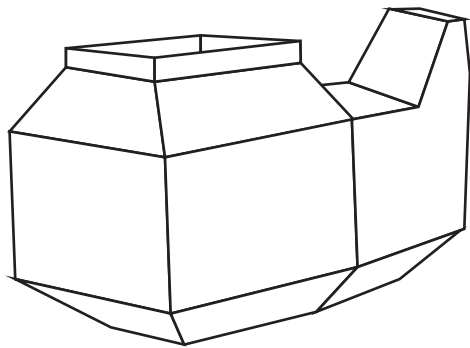
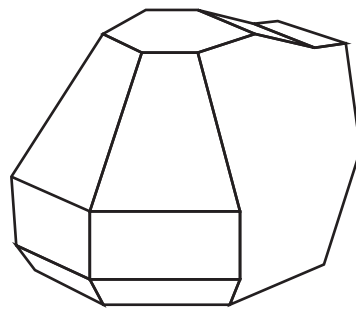


Instructions:

1. Print the template on regular paper or cardstock and cut out the pieces. Make all folds along dashed lines.
2. Starting with the body, cut along all straight brown lines to separate the tabs from the body. Fold all tabs along the dashed lines.
3. Use glue or double-sided tape to secure all tabs to their corresponding pieces in alphabetical order, starting with the A tabs.
4. After completing the shape of the body, move on to the head. Cut along all straight brown lines to separate the tabs from the head. Make all folds along dashed lines, then cut out the white square where indicated.
5. Secure all tabs to their corresponding pieces in alphabetical order, starting with the K tabs.
6. After completing the shape of the head, move on to the beak. Cut along all straight brown lines to separate the tabs from the beak. Make all folds along dashed lines.
7. Secure all tabs to their corresponding pieces in alphabetical order, starting with the S tab.
8. Assemble the ducky by inserting the neck into the hole in the head, then attach the beak to the head using the two yellow tabs on the beak.



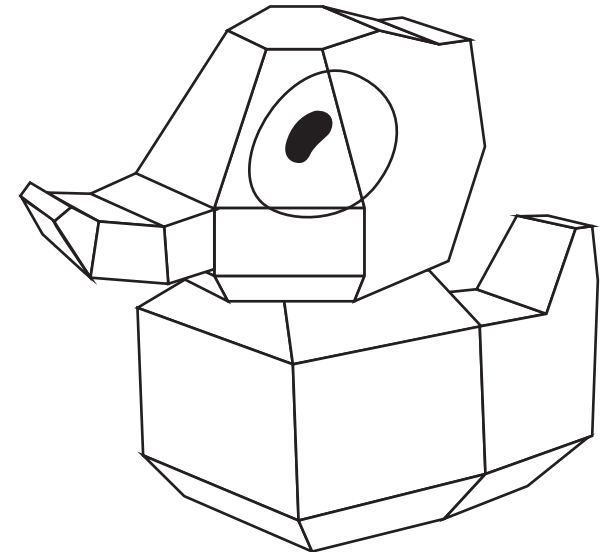
Body



Head



Beak



Duck